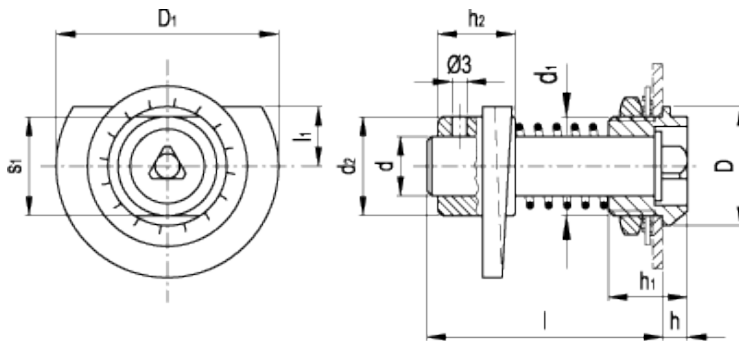


BOCK-SST

Latches with recessed key



ELESA Original design



technical informations

Shank

AISI 303 stainless steel with triangular key mark.

Guide bush

AISI 303 stainless steel.

Locking nut (wrench 24)

AISI 303 stainless steel.

DIN 6798 flat spring washer

AISI 303 stainless steel.

Helical latch

Sintered AISI 316 L stainless steel with hole for pinning.

DIN 1481 spring dowel pin

AISI 303 stainless steel, Ø 3x20 mm (included in the supply).

Latch spring to compensate door thickness

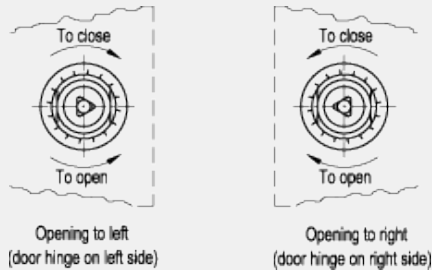
AISI 302 stainless steel.

Key

Polyamide based (PA) technopolymer, black colour, matte finish. Resistant to solvents, oils, greases and other chemical agents.

Standard executions available

- BOCK-D-INOX: opening to the right side.
- BOCK-S-INOX: opening to the left side.



Choice of the length of the shank (l)

$l \geq S+b+15$ mm

- S = thickness of the door
 - b = thickness of the ledge
- See assembly example.

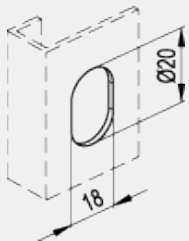
Assembly instructions

1. Drill a hole in the door following the supplied template.
2. Drill a hole in the shank for pinning at "f" distance:
 $f = S+b+8.5$
3. Fit the shank in the hole on the door and assemble the other components.
BOCK.INOX latches are supplied not assembled.

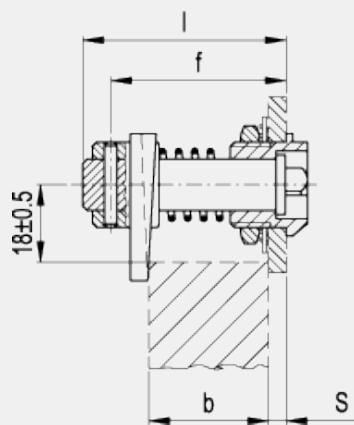
Features and applications

Stainless steel, thanks to its high resistance to corrosion, allows the application of these latches on machines and equipment in those sectors where laws or particular hygienic, climatic and environmental factors make it mandatory to use corrosion resistant materials.

Drilling template



Assembly example



Standard Elements		Main dimensions							Latch dimensions				Weight
Code	Description	D	L	h	d	d ₁	h ₁	s ₁	D ₁	d ₂	h ₂	l ₁	g
6215	BOCK.25-46-D-SST	24	46	6	12	M20x1.5	17.5	20	45	20	15	12	142
6216	BOCK.25-46-S-SST	24	46	6	12	M20x1.5	17.5	20	45	20	15	12	142
6225	BOCK.25-54-D-SST	24	54	6	12	M20x1.5	17.5	20	45	20	15	12	150
6226	BOCK.25-54-S-SST	24	54	6	12	M20x1.5	17.5	20	45	20	15	12	150



ELESA and GANTER models all rights reserved in accordance with the law. Always mention the source when reproducing our drawings.

STANDARD MACHINE ELEMENTS WORLDWIDE